



**Technical and Test Institute
for Construction Prague**

Prosecká 811/76a
190 00 Prague
Czech Republic
eota@tzus.cz

Member of



www.eota.eu

European Technical Assessment

**ETA 15/0214
of 12/05/2015**

(English language translation, the original version in Czech language)

Technical Assessment Body issuing the ETA: Technical and Test Institute
for Construction Prague

Trade name of the construction product	JANSA PTP SR 8/60-L _a
Product family to which the construction product belongs	Product area code: 33 Plastic anchors for fixing of external thermal insulation composite systems with rendering in concrete and masonry
Manufacturer	Ing. Jan SKOVAJSA – JANSA Zabiedovo Hamričky 225 028 01 Trstená Slovenská republika
Manufacturing plant(s)	Ing. Jan SKOVAJSA – JANSA
This European Technical Assessment contains	18 pages including 14 Annexes which form an integral part of this assessment.
This European Technical Assessment is issued in accordance with regulation (EU) No 305/2011, on the basis of	ETAG 014, edition 2011, used as European Assessment Document (EAD) according to Article 66 Paragraph 3 of regulation (EU) No 305/2011.

Translations of this European Technical Assessment in other languages shall fully correspond to the original issued document and should be identified as such.

Communication of this European Technical Assessment, including transmission by electronic means, shall be in full (excepted the confidential Annex(es) referred to above). However, partial reproduction may be made, with the written consent of the issuing Technical Assessment Body - Technical and Test Institute for Construction Prague. Any partial reproduction has to be identified as such.

1. Technical description of the product

The anchors JANSА PTP SR 8/60-L_a consist of a plastic sleeve with a plate and an accompanying specific expansion screw for fixing for thermal insulation system (ETICS).

The plastic sleeve of anchor JANSА PTP SR 8/60 is made of polypropylene and an accompanying specific expansion screw is made of steel.

The countersunk assembly is carried out with assembling tools JANSА SR with Insulation covers which are shown in Annex A5.

The installed anchor JANSА PTP SR 8/60-L_a is shown in Annex A1-A3.

2. Specification of the intended use in accordance with the applicable EAD

The performances given in Section 3 are only valid if the anchor is used in compliance with the specifications and conditions given in Annex B1-B6.

The provisions made in this European Technical Assessment are based on an assumed working life of the anchor of 25 years. The indications given on the working life cannot be interpreted as a guarantee given by the producer, but are to be regarded only as a means for choosing the products in relation to the expected economically reasonable working life of the works.

3. Performance of the product and references to the methods used for its assessment

3.1 Mechanical resistance and stability (BWR 1)

Essential characteristic	Performance
Characteristic resistance for tension loads	See Annex C 1
Displacement	See Annex C 1
Point thermal transmittance	See Annex C 2
Plate stiffness	See Annex C 2

3.2 Safety in case of fire (BWR 2)

ETAG 004 is relevant.

3.3 Hygiene, health and environment (BWR 3)

Regarding dangerous substances contained in this European Technical Assessment, there may be requirements applicable to the products falling within its scope (e.g. transposed European legislation and national laws, regulations and administrative provisions). In order to meet the provisions of the Regulation (EU) No 305/2011, these requirements need also to be complied with, when and where they apply.

3.4 Safety in use (BWR 4)

For basic requirement safety in use the same criteria are valid as for Basic Requirement Mechanical resistance and stability.

3.5 Protection against noise (BWR 5)

Not relevant.

3.6 Energy economy and heat retention (BWR 6)

Not relevant.

3.7 Sustainable use of natural resources (BWR 7)

For the sustainable use of natural resources no performance was determined for this product.

3.8 General aspects relating to fitness for use

Durability and serviceability are only ensured if the specifications of intended use according to Annex B 1 are kept.

4. Assessment and verification of constancy of performance (AVCP) system applied with reference to its legal base

According to the Decision 97/463/EC of the European Commission¹, the system of assessment verification of constancy of performance (see Annex V to the Regulation (EU) No 305/2011 given in the following table apply:

Product	Intended use	Use category	System
The plastic anchors for fixing of external thermal insulation composite systems with rendering	For fixing of external thermal insulation composite systems with rendering	A, B, C, D and E.	2+

5. Technical details necessary for the implementation of the AVCP system, as provided in the applicable EAD

5.1 Tasks of the manufacturer

The manufacturer shall exercise permanent internal control of production. All the elements, requirements and provisions adopted by the manufacturer shall be documented in a systematic manner in the form of written policies and procedures, including records of results performed. This production control system shall insure that the product is in conformity with this European Technical Assessment.

The manufacturer may only use raw materials stated in the technical documentation of this European Technical Assessment.

The factory production control shall be in accordance with the control plan which is a part of the technical documentation of this European Technical Assessment. The control plan is laid down in the context of the factory production control system operated by the manufacturer and deposited at Technical and Test Institute for Construction Prague.² The results of factory production control shall be recorded and evaluated in accordance with the provisions of the control plan.

The manufacturer shall, on the basis of a contract, involve a body which is notified for the tasks referred to in section 4 in the field of anchors in order to undertake the actions laid down in section 5.2. For this purpose, the control plan referred to in this section and section 5.2 shall be handed over by the manufacturer to the notified body involved.

The manufacturer shall make a declaration of performance, stating that the construction product is in conformity with the provisions of this European Technical Assessment.

5.2 Tasks of the notified bodies

¹ Official Journal of the European Communities L 198/31 25.7.1997

² The control plan is a confidential part of the documentation of the European Technical Assessment, but not published together with the ETA and only handed over to the approved body involved in the procedure of AVCP.

The notified body shall retain the essential points of its actions referred to above and state the results obtained and conclusions drawn in a written report.

The notified certification body involved by the manufacturer shall issue an certificate of constancy of performance of the product stating the conformity with the provisions of this European Technical Assessment.

In cases where the provisions of the European Technical Assessment and its control plan are no longer fulfilled the notified body shall withdraw the certificate of constancy of performance and inform Technical and Test Institute for Construction Prague without delay.

Issued in Prague on 12.05.2015

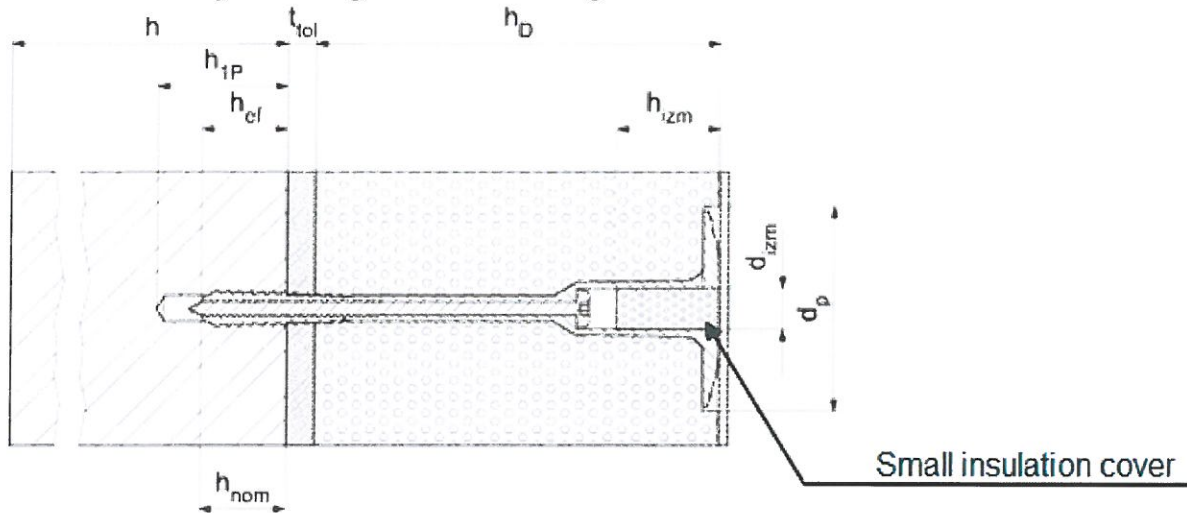


signed by

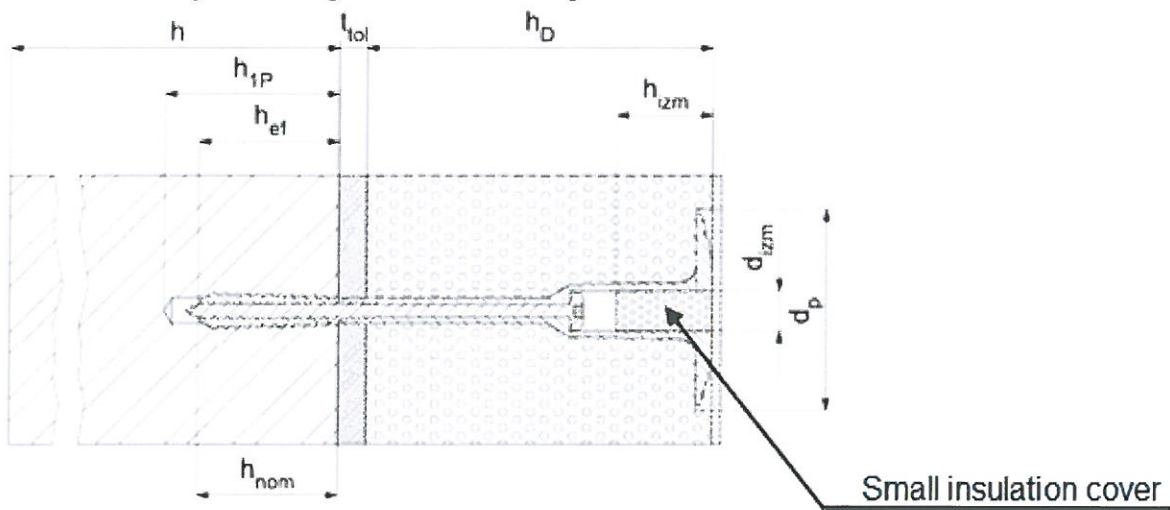
Ing. Mária Schaan

Head of the Technical Assessment Body

Surface assembly for fixing of ETICS in categories A and B



Surface assembly for fixing of ETICS in categories C and D



h_{nom} = overall plastic anchor embedment depth in the base material

h_{ef} = effective anchorage depth

h_{1p} = drill hole depth – surface assembly

h_{1z} = drill hole depth – countersunk assembly

h = thickness of base material

h_D = thickness of insulation material

$h_{izm(v)}$ = thickness of insulation cover

$d_{izm(v)}$ = diameter of insulation cover

t_{tol} = thickness of equalization layer or non-load bearing coating

L_a = total length of the anchor

d_p = diameter of plate

Determination of total length of the anchor

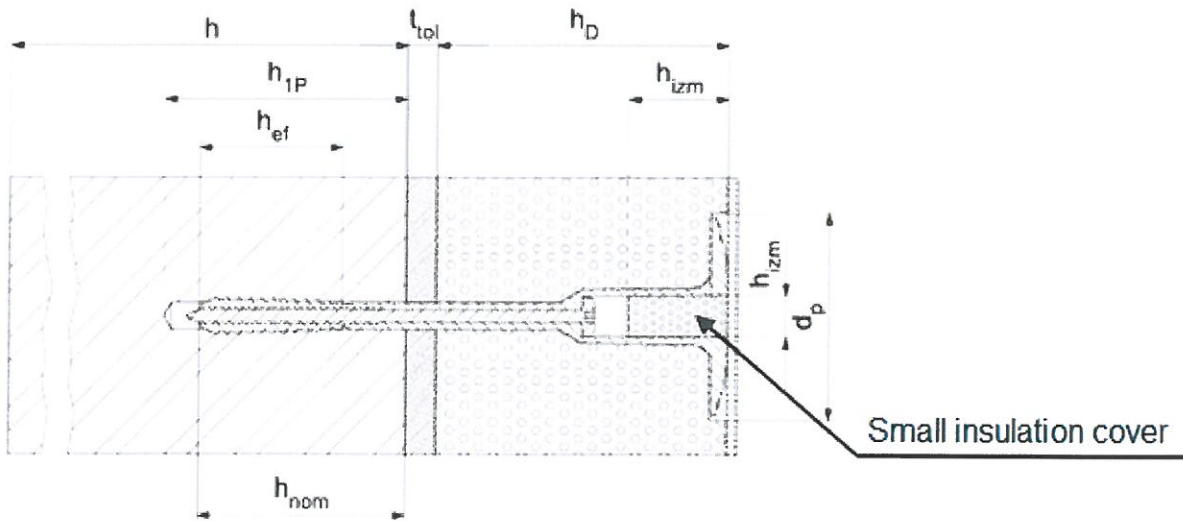
$$L_a \geq h_D + \min. h_{nom} + \max. a_1 + \max. a_2$$

JANSA PTP SR 8/60- L_a

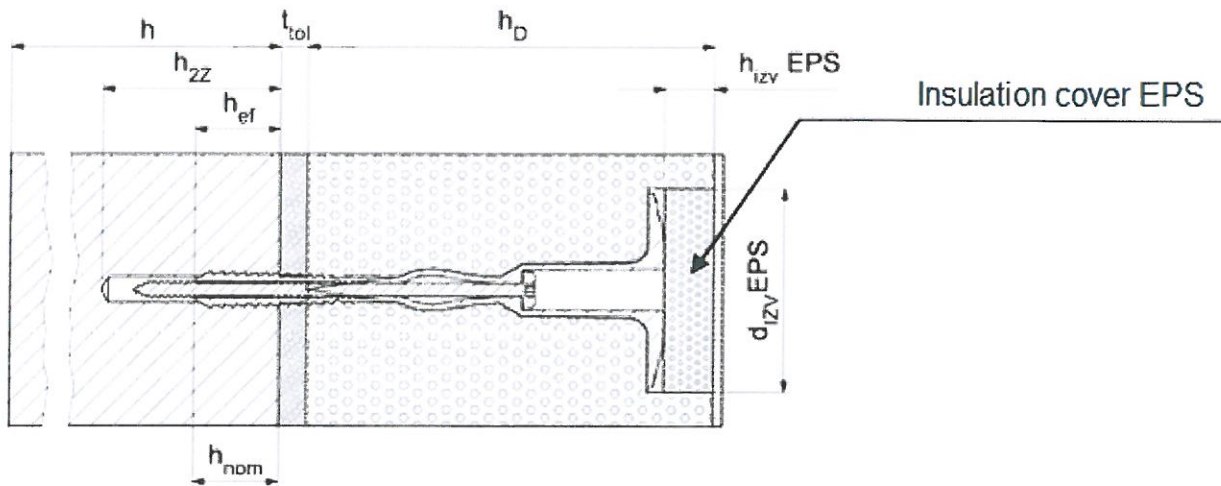
Product description
Installed conditions

Annex A 1

Surface assembly for fixing of ETICS in category E



Countersunk assembly for fixing of ETICS with JANS SR in categories A and B



h_{nom} = overall plastic anchor embedment depth in the base material

h_{ef} = effective anchorage depth

h_{1P} = drill hole depth – surface assembly

h_{1Z} = drill hole depth – countersunk assembly

h = thickness of base material

h_D = thickness of insulation material

$h_{izm(v)}$ = thickness of insulation cover

$d_{izm(v)}$ = diameter of insulation cover

t_{tol} = thickness of equalization layer or non-load bearing coating

L_a = total length of the anchor

d_p = diameter of plate

Determination of total length of the anchor

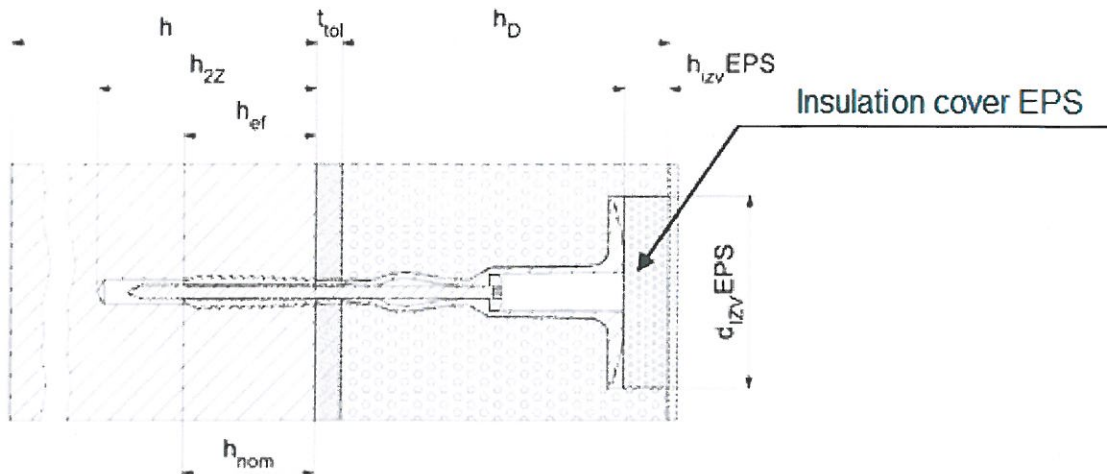
$$L_a \geq h_D + \min. h_{nom} + \max. a_1 + \max. a_2$$

JANSA PTP SR 8/60- L_a

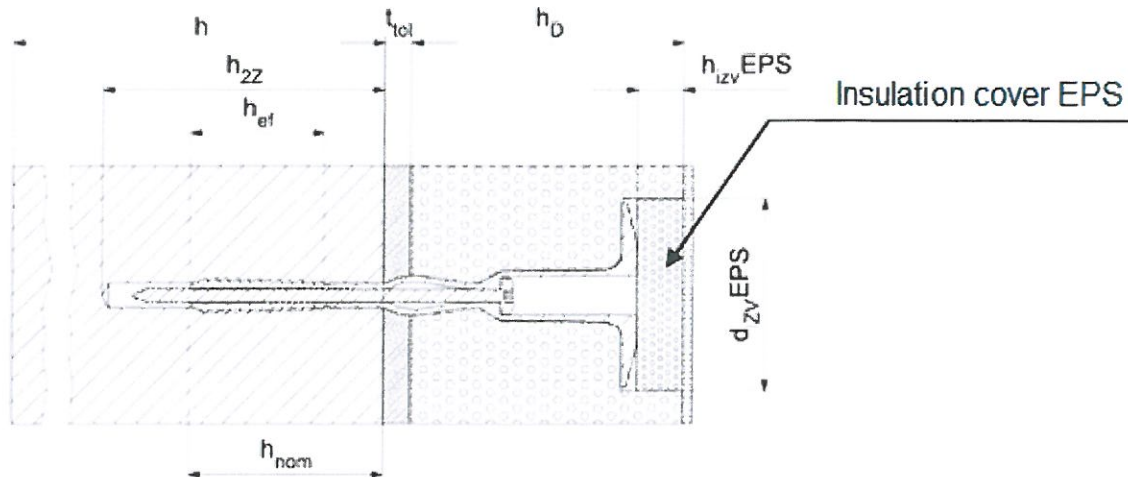
Product description
Installed conditions

Annex A 2

Countersunk assembly for fixing of ETICS with JANSA SR in categories C and D



Countersunk assembly for fixing of ETICS with JANSA SR in categories E



h_{nom} = overall plastic anchor embedment
depth in the base material

h_{ef} = effective anchorage depth
 h_{1p} = drill hole depth – surface
assembly

h_{1Z} = drill hole depth – countersunk
assembly

h = thickness of base material
 h_D = thickness of insulation material

h_{1Zm} = thickness of insulation cover

$d_{1Zm}^{(v)}$ = diameter of insulation cover

$a_1^{(v)}$ = thickness of equalization layer or non-load
bearing coating

a_2 = thickness of compound and toleration of
thickness of equalization layer or non-load
bearing coating

d_p = diameter of plate
 h_R = diameter of insulation cover
 L_a = total length of the anchor

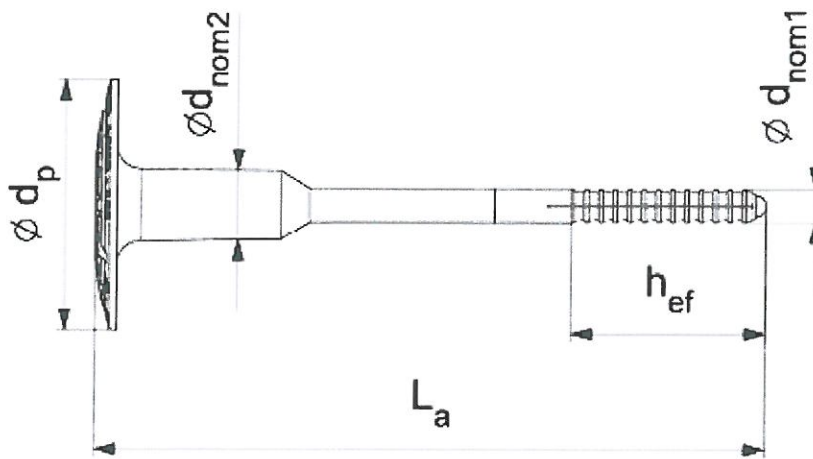
Determination of total length of the anchor
 $L_a \geq h_D + \min. h_{nom} + \max. a_1 + \max. a_2$

JANSA PTP SR 8/60- L_a

Product description
Installed conditions

Annex A 3

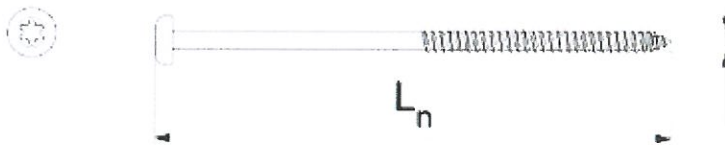
JANSA PTP SR 8/60-L_a



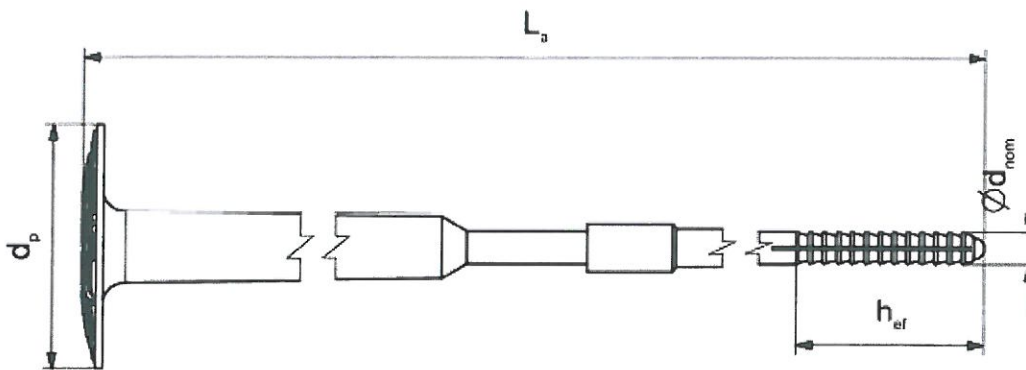
Marking:

- producer name: JANSA
- anchor type: PTP SR 8/60-La
- length of anchor (L_a) e.g. 160
- use category: A, B, C, D, E

TORX TX30



JANSA PTP SR 8/60-L_a



JANSA PTP SR 8/60-L_a

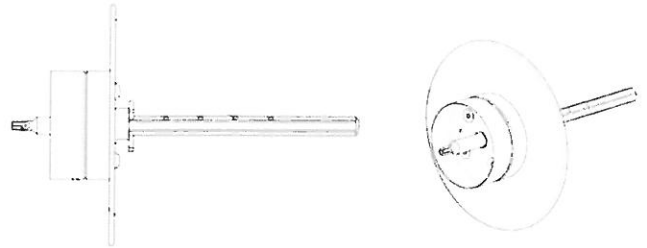
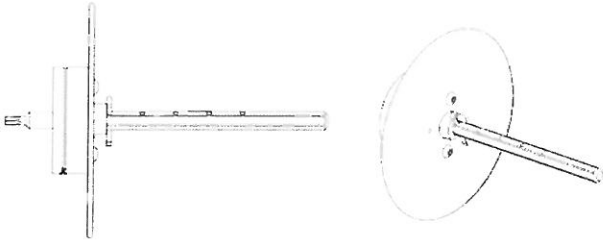
Product description

Annex A 4

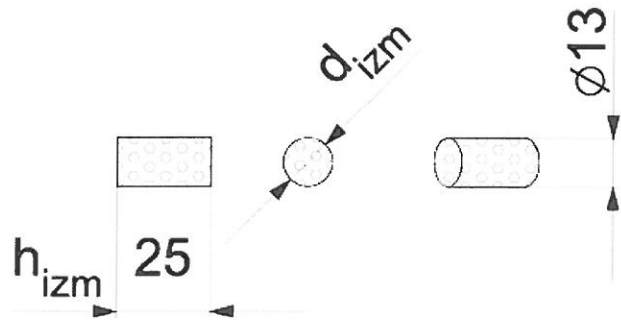
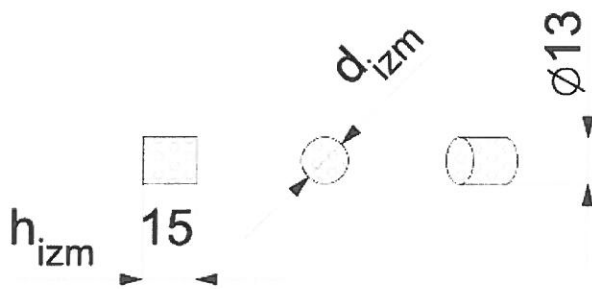
Assembling tool JANSÁ SR

- for surface assembly

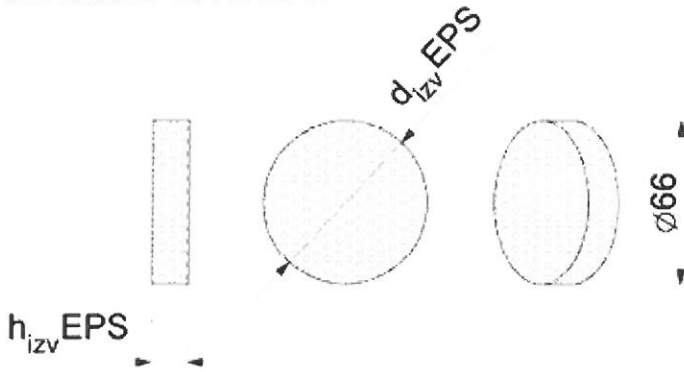
- for countersunk assembly



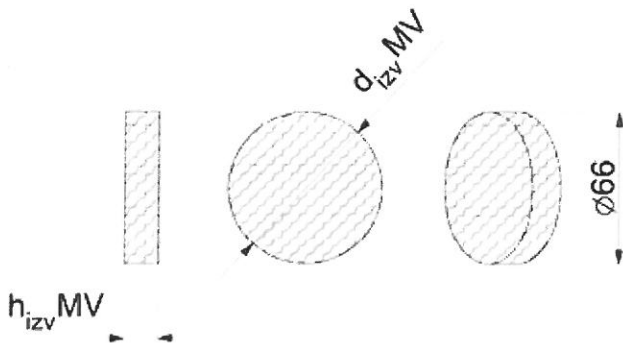
Small insulation cover



Insulation cover EPS



Insulation cover MV



JANSÁ PTP SR 8/60-L_a

Assembling tool JANSÁ SR, Insulation covers

Annex A 5

Table A1: Dimensions

Anchor type	Anchor sleeve					Expansion screw L_n	
	d_{nom}	$h_{ef} = h_{nom}$		h_{ef}	h_{nom}		L_a
		A, B,	C, D	E			
JANSA PTP SR 8/60- L_a	8	25	45	45	65	90-380	84-264

Table A2: Materials

Designation	Color	Material
Anchor sleeve JANSA PTP SR 8/60- L_a	Natural, green, red	Copolymer polypropylene
Expansion screw JANSA PTP SR 8/60- L_a	Galvanized screw	Steel strength class 5.8, galvanized $\geq 5\mu m$
		Stainless steel
Assembling tool	Natural	Reinforced polyamide
Small insulation cover EPS	Natural	Polystyrene EPS 150
Insulation cover EPS	Natural	Polystyrene EPS 70
Insulation cover MV	Natural	Mineral wool HD

JANSA PTP SR 8/60- L_a

Dimensions, materials of product

Annex A 6

Specifications of intended use

Anchorage subject to:

- Multiple fixing for the anchorage of bonded thermal insulation composite systems (ETICS).

Base materials

- Reinforced or unreinforced normal weight concrete (Use category A), according to Annex B3.
- Solid brick (Use category B), according to Annex B3.
- Vertical perforated brick (Use category C), according to Annex B3-B4.
- Vertically perforated clay bricks according to ÖNORM B 6124 (Use category C), according to Annex B3-B4.
- Lightweight aggregate concrete hollow blocks LAC (Hbl) (Use category D), according to Annex B3-B4.
- Autoclaved aerated concrete P2-400 (Use category E) according to Annex B3.
- The characteristic tension resistance of the anchor may be determined by means of job site pull-out tests carried out on the material actually used, if a characteristic resistance of the base material does not exist (for example masonry made of other solid masonry units or made of perforated clay bricks).

Use conditions

- The anchor may only be used for transmission of wind suction loads and shall not be used for the transmission of dead loads of the thermal insulation composite system. The dead loads have to be transmitted by the bonding of the thermal insulation composite system.

Use categories:

- The anchors JANSAPTP SR 8/60-L_a are used for the categories A, B, C, D and E.

Design:

- The design of anchorages is carried out in compliance with ETAG 014 "Guideline for European Technical Assessment of Plastic Anchors for Fixing of External Thermal Insulation Composite Systems with Rendering" under the responsibility of an engineer experienced in anchorages.
- Verifiable calculation notes and drawings shall be prepared taking account of the loads to be anchored, the nature and strength of the base materials, the thickness of insulation and the dimensions of the anchorage as well as of the relevant tolerances.
- Proof of direct local application of load on the base material shall be delivered. The anchor shall only be used for the transmission of wind suction loads. All other loads such as dead load and restraints shall be transmitted by the adhesion of the relevant external thermal insulation composite system.

JANSAPTP SR 8/60-L _a	Annex B 1
Intended use Installation	

Installation:

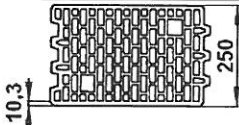
The fitness for use of the anchor can only be assumed if the following conditions of installation are met:

- Anchor installation carried out by appropriately qualified personnel under the supervision of the person responsible for technical matters on site.
- Use of the anchor only as supplied by the manufacturer without exchanging any component of the anchor.
- Anchor installation in accordance with the manufacturer’s specifications and drawings using the tools.
- Checks before placing the anchor, to ensure that the characteristic values of the base material in which the anchor is to be placed, is identical with the values, which the characteristic loads apply for.
- Observation of the drill method (Drill holes in masonry made of perforated clay bricks, vertically perforated clay bricks and lightweight aggregate concrete hollow blocks (LAC) may only be drilled using the rotary drill. Other drilling methods may also be used if job-site tests according to Annex B 5 evaluate the influence of hammer or impact drilling.)
 - JANSÁ PTP SR 8/60-L_a:
 - $h_{nom} \geq 25 \text{ mm (A, B)}$
 - $h_{nom} \geq 45 \text{ mm (C, D)}$
 - $h_{nom} \geq 65 \text{ mm (E)}$
- Placing drill holes without damaging the reinforcement
- Temperature during installation of the anchor $\geq 0^\circ\text{C}$.
- Exposure to UV due to solar radiation of the anchor not protected by rendering 6 weeks.

JANSÁ PTP SR 8/60-L_a	Annex B 2
Intended use Installation	

Types of base materials

Table B1: Base materials

Base material	Use category	Bulk density class [kg/dm ³]	Min. compressive strength β [N/mm ²]	General remarks	Drilling method
Concrete C12/15 according to EN 206-1	A				Hammer drilling
Concrete C16/20 – C50/60 according to EN 206-1	A				Hammer drilling
Solid clay bricks according to EN 771-1	B	≥ 1,7	20	Vertically perforation up to 15%	Hammer drilling
Vertically perforated clay bricks according to EN 771-1	C	≥ 0,7	12	Vertically perforation more than 15% and less than 55%	Only rotary drilling
Vertically perforated clay bricks according to ÖNORM B 6124	C	≥ 0,9	10		Only rotary drilling
Lightweight aggregate concrete hollow blocks LAC (Hbl) according to EN 1520	D	≥ 1,2	4		Only rotary drilling
Autoclaved aerated concrete P2-400 e.g. according to EN 771-4	E	2	≥ 0, 4		Only rotary drilling

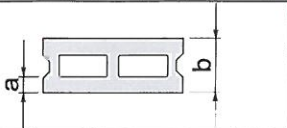
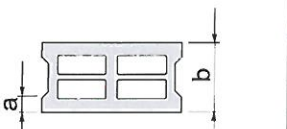
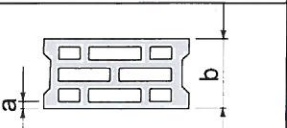
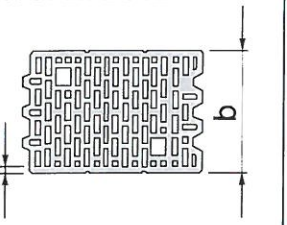
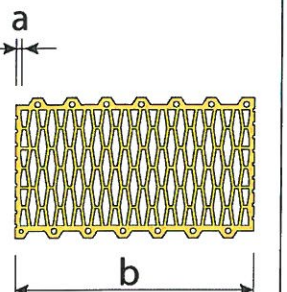
JANSA PTP SR 8/60-L_a

Intended use
Base materials

Annex B 3

Types of base materials

Table B2: Assignment type anchor for Solid clay bricks according to EN 771-1 and according to ÖNORM B6124

Geometry	Thickness of brick b [mm]	Outer web in longitudinal direction a [mm]	Anchor type
			JANSA PTP SR 8/60-L _a
	175	50	●
	240 300	50	●
	175	35	●
	240 300 365	35	●
	240 300 365	30	●
Reference brick ÖNORM B6124 	250	10,3	●
	250	10,1	●

JANSA PTP SR 8/60-L_a

Intended use
Base materials

Annex B 4

Installation

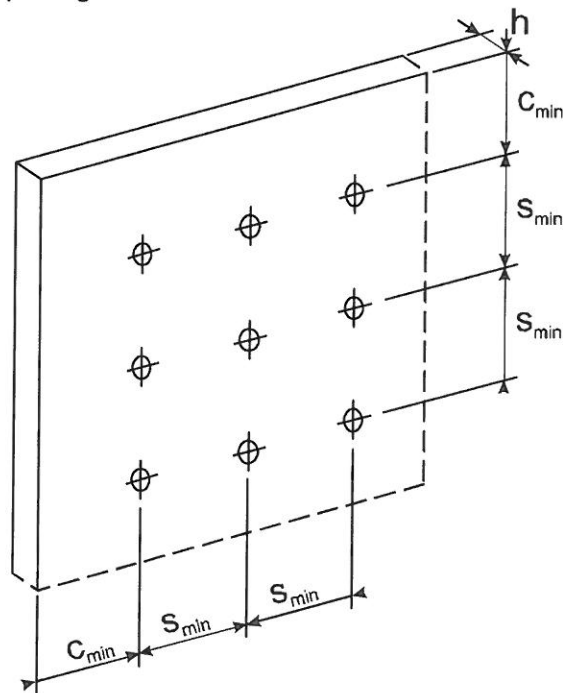
Table B3: Installation characteristics

Anchor types	JANSA PTP SR 8/60-L _a		
Category of material	A, B	C, D	E
Nominal diameter of drill bit d_o [mm]	8	8	8
Min. diameter of drill bit $d_{cut, min} \geq$ [mm]	8,0	8,0	8,0
Max. diameter of drill bit $d_{cut, max} \leq$ [mm]	8,45	8,45	8,45
Depth of drill hole			
- Countersunk assembly $h_{1Z} \geq$ [mm]	50	70	90
- Surface assembly $h_{1P} \geq$ [mm]	35	55	75
Overall embedment depth $h_{nom} \geq$ [mm]	25	45	65

Table B4: Minimum thickness of base material, edge distance and anchor spacing

Anchor type	Minimum thickness of base material h [mm]	Minimum spacing s_{min} [mm]	Minimum edge distance c_{min} [mm]
JANSA PTP SR 8/60-L _a	100	100	100

Scheme of distance and spacing.



JANSA PTP SR 8/60-L_a

Intended use
Installation characteristics
Edge and axial distances

Annex B 5

Job site tests

The characteristic tension resistance of the anchor may be determined by means of job site pull-out tests carried out on the material actually used, if a characteristic resistance of the base material does not exist (for example masonry made of other solid masonry units or made of perforated clay bricks). The characteristic resistance of the anchor shall be determined by carrying out at least 15 centric tension load pull-out tests on site. These tests are also possible under the same conditions in a laboratory.

Execution and evaluation of the tests as well as the issue of the test report and the determination of the characteristic resistance should be under the responsibility of approved testing laboratories or the supervision of the person responsible for the execution of the works on site.

Number and position of the anchors to be tested shall be adapted to the relevant special conditions of the site and, for example, to be increased in the case of hidden and larger areas, such that reliable information about the characteristic resistance of the anchor in the base material in question can be derived. The tests shall take into account the most unfavorable conditions of the practical execution.

Assembly

The anchor to be tested shall be installed (e.g. preparation of drill hole drilling tool to be used, drill bit) and the spacing and the edge distances shall be in the same way as planned for the fixing of the external thermal insulation composite system.

Depending on the drilling tool and according to ISO 5468, hard metal hammer-drill bits or hard metal percussion drill bits, respectively, shall be used. The cutting diameter shall be at the upper tolerance limit.

Execution test

The test rig used for the pull-out test shall provide a continuous slow increase of the load, controlled by calibrated load cell. The load shall be applied perpendicularly to the surface of the base material and shall be transmitted to the anchor via an hinge. The reaction force shall be transmitted into the base material at a distance of at least 150 mm from the anchor. The load shall be increased continuously in a way, that the ultimate load is reached after about 1 minute. The load is measured when the ultimate load (N_1) is achieved.

Test report

The test report shall include all information necessary to assess the resistance of the tested anchor. It shall be included in the construction dossier.

The minimum data required are:

- Construction site, owner of building; date and location of the tests, air temperature; type of member (ETICS) to be fixed
- Masonry (type of brick, strength class, all dimensions of bricks, mortar group); visual assessment of masonry (flush joints, joint clearance, regularity)
- Plastic sleeve and special expansion nail, value of the cutting diameter of hard metal hammer-drill bits, measured before and after drilling
- Test rig; results of tests including the indication of value N_1
- Tests carried out or supervised by; signature.

Evaluation of test results

The characteristic resistance N_{Rk1} is derived from the measured values N_1 as follows

$$N_{Rk1} = 0,6 \cdot N_1 \leq 1,5 \text{ kN}$$

N_1 = the mean value of the five smallest measured values at ultimate load

JANSA PTP SR 8/60-L_a

Intended use
Job site tests

Annex B 6

Table C1: Characteristic resistance to tension loads for single anchor

Base material	Use category	Bulk density class [kg/dm ³]	Min. compressive strength β [N/mm ²]	JANSA PTP SR 8/60-L _a	
				Surface assembly [kN]	Countersunk assembly [kN]
Concrete C 12/15 according to EN 206-1	A			1,2	1,2
Concrete C 16/20 –C50/60 according to EN 206-1	A			1,5	1,5
Solid clay bricks according to EN 771-1	B	≥1,7	20	1,5	1,5
Vertically perforated clay bricks according to EN 771-1	C	≥ 0,5	4	1,2	1,2
Vertically perforated clay bricks according to ÖNORM B6124	C	≥ 1,2	4	0,9	0,9
Lightweight aggregate concrete hollow blocks LAC (Hbl) according to EN 1520	D	≥ 0,9	10	1,5	1,5
Autoclaved aerated concrete P2-400 e.g. according to EN 771-4	E	≥ 0,4	2	1,2	1,2
Partial safety factor	$\gamma_M =$	2,0*			

* in the absence of other national regulations

Table C2: Displacement under tension loads

Assembly	Surface		Countersunk	
	Tension load N_{Sk} [kN]	Displacements $\Delta\delta_N$ [mm]	Tension load N_{Sk} [kN]	Displacements $\Delta\delta_N$ [mm]
C12/15 EN 206-1	0,4	0,51	0,4	0,64
C16/20 EN 206-1	0,5	0,51	0,5	0,64
C50/60 EN 206-1	0,5	0,62	0,5	0,64
Solid clay bricks EN 771-1	0,5	0,59	0,5	0,67
Vertically perforated clay bricks EN 771-1	0,4	0,63	0,4	0,54
Vertically perforated clay bricks ÖNORM B6124	0,3	0,50	0,3	0,45
Lightweight aggregate concrete EN 1520 (LAC)	0,5	0,64	0,5	0,75
Autoclaved aerated concrete P2-400 according to EN 771- 4	0,4	0,46	0,4	0,44

JANSA PTP SR 8/60-L_a

Performances

Characteristic tension load
Displacement under tension load

Annex C 1

Table C3: Point thermal transmittance

Anchor type	Installation	Insulation thickness h_D [mm]	Point thermal transmittance χ [W/K]
JANSA PTP SR 8/60	Surface assembly	65	0,003
		150	0,002
		355	0,001
	Countersunk assembly	65	0,001
		150	0,001
		355	0

The thermal bridge effect of the anchor is smaller than 0,0005 W/K and can therefore be neglected in the calculation.

Table C4: Plate stiffness

Anchor type	Diameter of the anchor plate [mm]	Load resistance of the anchor plate [kN]	Plate stiffness [kN/mm]
JANSA PTP SR 8/60-L _a	60	2,0	1,5

JANSA PTP SR 8/60-L_a

Performances

Point thermal transmittance

Plate stiffness

Annex C 2